

Moon In My Room™

Installing batteries into Moon In My Room™

Tool required - Small Phillips head screwdriver

1. Use a Phillips head screwdriver to remove the battery cover (See Fig. 1).
2. Insert 4 "AA" batteries. Make sure the "+" and "-" ends are inserted correctly, as indicated in the battery compartment.
3. Replace cover.
4. IMPORTANT! Switch Moon in My Room™ to the "ON" position before (see Fig. 2). PLEASE NOTE: The unit will not activate without the remote control. To ensure proper functionality, use Moon in My Room™ in a darkened room.

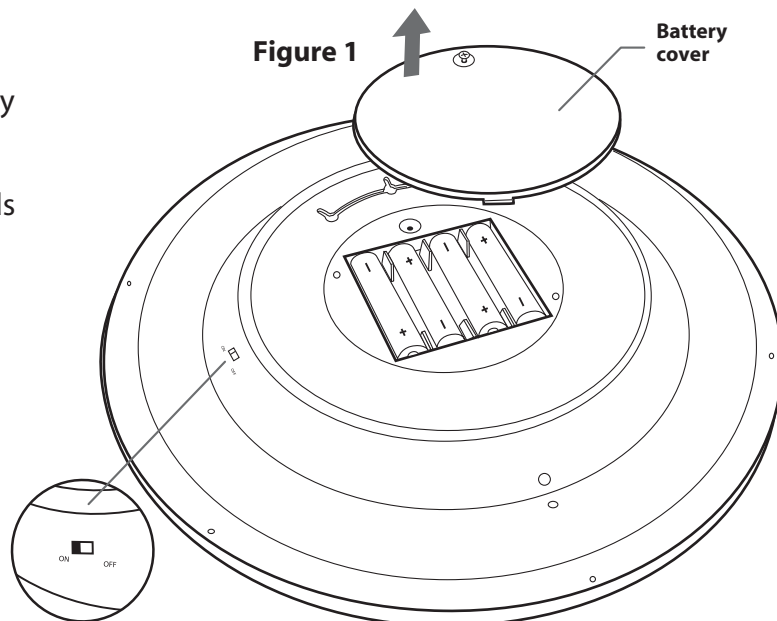


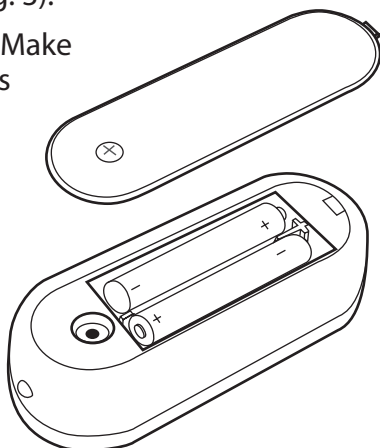
Figure 2

Installing batteries into the remote control

Tool required - Small Phillips head screwdriver

1. Use a Phillips head screwdriver to remove the battery door (See Fig. 3).
2. Insert 2 "AAA" batteries. Make sure the "+" and "-" ends are inserted correctly, as indicated in the battery compartment.
3. Replace cover.

Figure 3



BATTERY SAFETY INFORMATION

- Only adults should install and replace batteries.
- Switch toy off before opening battery compartment.
- Insert batteries correctly. Match positive + and negative - signs.
- Alkaline batteries are recommended for best performance.
- Rechargeable batteries are not recommended.
- If rechargeable batteries are used, they are only to be charged under adult supervision.
- Rechargeable batteries are to be removed from the product before they are charged.
- Do not recharge non-rechargeable batteries.
- Only use the batteries specified.
- Only batteries of the same or equivalent type as recommended are to be used.
- Do not mix different types of batteries: alkaline, standard (carbon-zinc) or rechargeable (nickel-cadmium).
- Do not mix old and new batteries.
- Remove dead or exhausted batteries.
- Remove the batteries during long periods of non-use.
- Always remove exhausted batteries from the toy.
- Battery leakage and corrosion can damage this product.
- Dispose of batteries safely. Recycle where available.
- Do not dispose of batteries in a fire or attempt to open the outer casing. Never short-circuit the battery terminals.
- Do not immerse battery-operated toys in water. Wipe clean only.

KEEP THESE INSTRUCTIONS FOR FUTURE REFERENCE - DO NOT DISCARD

Problems? Before taking this product back to the store please call us, we can help! 1-888-742-2484 or go to www.unclemilton.com



Uncle Milton Inc, Westlake Village, CA 91362
 1-888-742-2484 Fax: 818.707.0878 www.unclemilton.com
 © UMI, Inc. All rights reserved. Moon In My Room is a trademark of UMI. Printed in China.

Hanging Moon In My Room™

NOTE: The Moon In My Room™ is only intended to be installed to a vertical wall.

1. Hang the Moon In My Room™ by one of the three hanging holes. (See Fig. 4)
2. Select any one of the 3 hang holes to angle the moon to your desired position. This directly affects the angle of the crescents.

Using Moon In My Room™

IMPORTANT: Before operating, be sure on/off switch located on the back of Moon In My Room™ is turned to the "ON" position.

NOTE: In order for the moon to function properly, the room lights should be off.

Auto On/Off

Moon automatically turns on in a darkened room. It automatically shuts off after 30-minutes if there is no manual interaction.

Night Light

Moon in My Room™ is *light sensitive*, and will only function in a darkened room. To turn the moon off, press the ON/OFF button on your remote. Press ON/OFF button again to reactivate a full moon.

Auto Phase

Your Moon In My Room™ will cycle through the moon phases automatically, when you *push* the automatic phase button. The moon will cycle from phase to phase in five-second intervals. In this mode, the moon will automatically turn off after 30-minutes.

Manual Phase

To manually cycle through the moon phases, press the manual phase button (see figure 5). If you leave the moon on in a phase, it will automatically turn off after 30 minutes.

Permanent On/Off using Remote Control

Press and hold the remote ON/OFF button for 5 seconds. This will turn the moon off and disable the auto light sensor. Your moon will not turn on *automatically* in a darkened room. Hold again for 5 seconds to turn the moon back on, enabling the auto light sensor function.

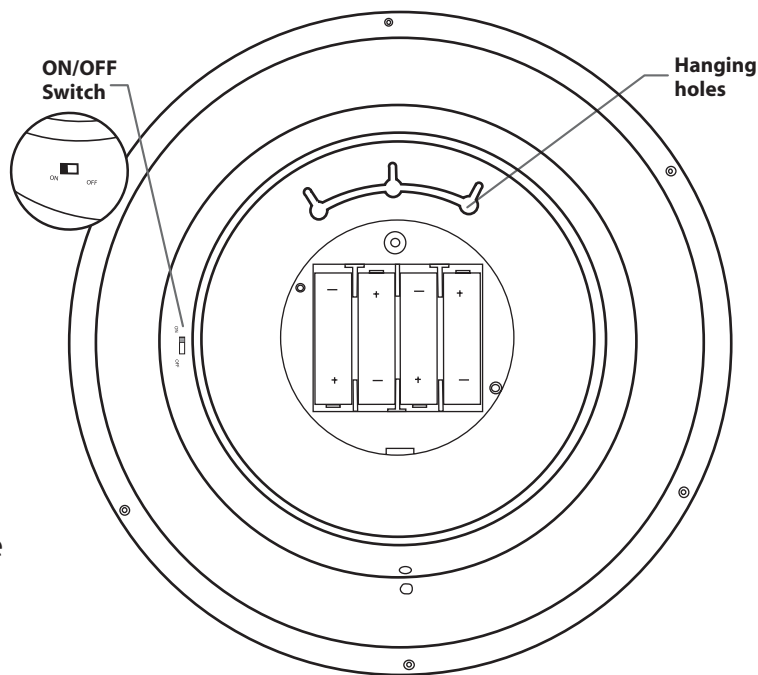


Figure 4

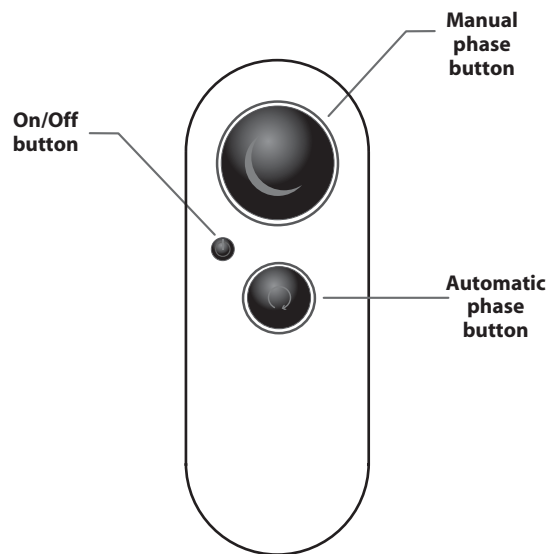


Figure 5